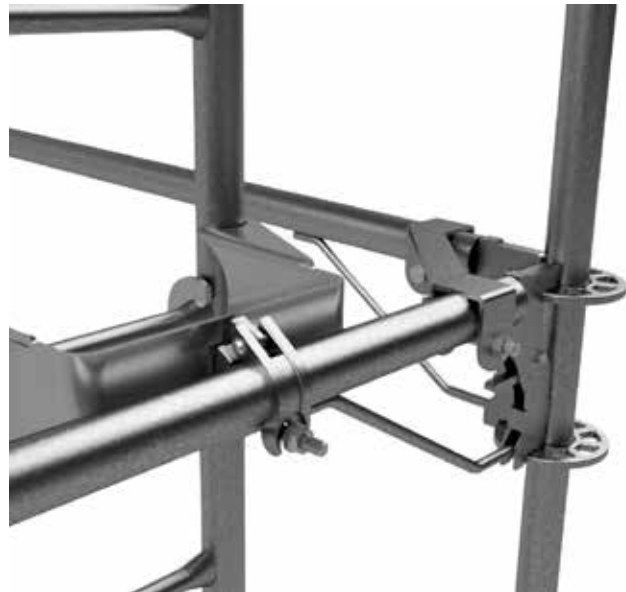
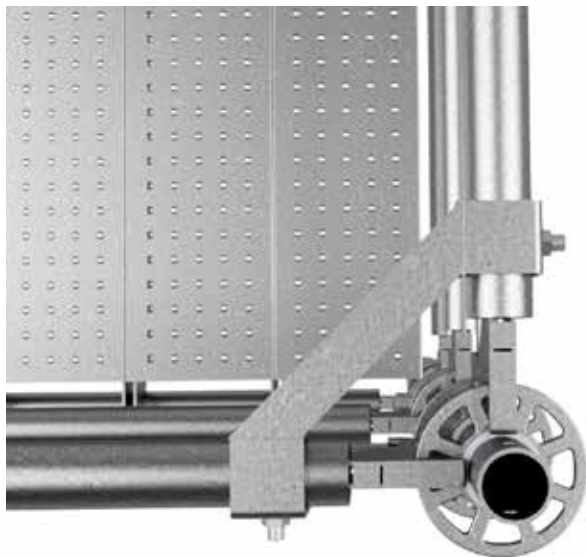


# INSTANTLOCK 2 RIGHT-ANGLE BRACE



| PART NUMBER | DESCRIPTION       | WEIGHT (LBS.) |
|-------------|-------------------|---------------|
| RAB         | Right-Angle Brace | 3.5           |



A right-angle brace is used to ensure the scaffold stays square or to provide additional corner support for the end connectors.

Right-angle braces can be used to support a stand-off (90-degree) ladder access.

Right-angle braces can be used for ladder additions or bracing on scaffolds with casters.

## **BUILD NOTE:**

Braces must have bolts.

All material must be inspected prior to use! See inspection guidelines on page 87.