



# INSTANTLOCK 2 HORIZONTAL BAR

PART #	DESCRIPTION	VERTICAL POST SPACING (INCHES)	OVERALL WIDTH (INCHES)	TUBE LENGTH (INCHES)	WEIGHT GALVANIZED (LBS.)
IL2PB24	2' Bearer	24	22	17.38	10.5
IL2PB36	36" Bearer	36	34	29.38	11.5
IL2PB42	3'-6" Bearer	42	40	35.38	12.5
IL2PB48	4' Bearer	48	46	41.38	13
IL2PB60	5' Bearer	60	58	53.38	15.5
IL2PB72	6' Bearer	72	70	65.38	18
IL2PB84	7' Bearer	84	82	77.38	20

## HORIZONTAL LEDGER

IL2HL96	8' Ledger	96	94	89.38	21
IL2HL108	9' Ledger	108	106	101.38	22
IL2HL120	10' Ledger	120	118	113.38	25.5



InstantLock 2 horizontals are equipped with one cable assist lever (shown in red), which releases both ends of the horizontal, and two triggers which control only that end of the horizontal.

The InstantLock 2 end connector design allows metal scaffold boards to be placed the full length of the horizontal. The horizontal is capped on the top to prevent debris from entering into the trigger locking mechanism.

### MATERIAL SPECS:

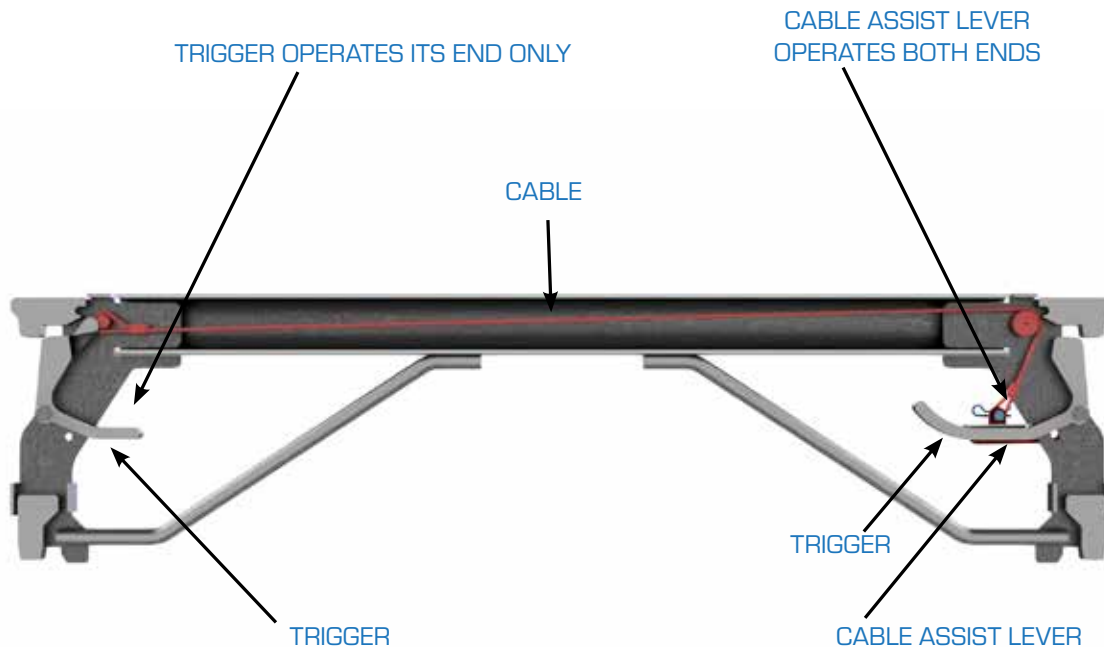
1. Tube length is the length of tubing required to manufacture each horizontal.
2. Tubing for the 7-foot bearer through the 10-foot ledger are 1.90 diameter, 12-gauge (0.108 wall), high-strength tubing minimum 65,000 yield, 75,000 tensile.
3. Horizontals are compatible with standard 1.90 OD tube and clamp material.

All material must be inspected prior to use! See inspection guidelines on page 87.



CAUTION: There is a pinch point when closing the trigger.

# INSTANTLOCK 2 HORIZONTAL BAR



**HORIZONTAL SCAFFOLD BAR DESIGNED WITH CABLE AND SPRING-LOADED TRIGGER ASSEMBLY**

## **BUILD NOTES:**

1. In order to gain full effectiveness of the cable assist feature, all triggers should be placed together at vertical joints.
2. The following methods will assist with builder training:
  - Builders must be trained on the function differences between the cable assist lever, and trigger assemblies.
  - a.) Cable assist lever opens both end connectors.
  - b.) Triggers function independently of the cable assist lever.
3. InstantLock 2 horizontals are not approved for use when hanging scaffolds.
  - When installing the horizontal, hold the cable assist lever end toward yourself and squeeze the lever. This will open both trigger gates.
  - Connect the horizontal to both verticals releasing the cable assist lever.
  - Tug/twist and visually inspect the horizontal to make sure both triggers have proper seating within the vertical rosettes.
  - When inspecting a completed scaffold, ensure all triggers align vertically where a horizontal is connected at each joint.

**All material must be inspected prior to use! See inspection guidelines on page 87.**

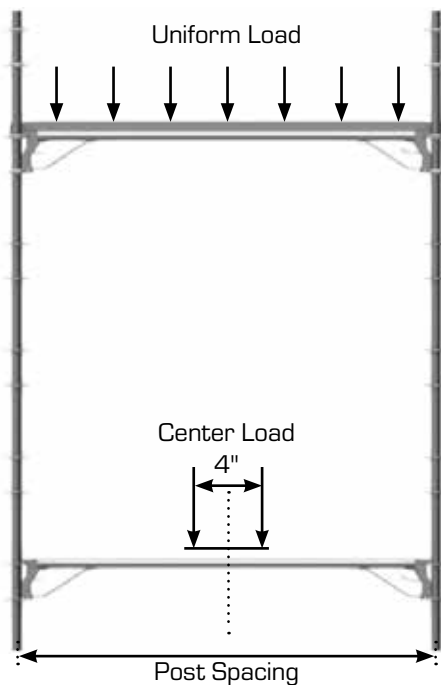


# INSTANTLOCK 2 HORIZONTAL BAR LOADING

PART #	DESCRIPTION	VERTICAL POST SPACING (INCHES)	ALLOWABLE CENTER LOAD (LBS.)	ALLOWABLE UNIFORM LOAD (LBS./FT.)
IL2PB24	24" Bearer	24	2,250	2,250
IL2PB36	36" Bearer	36	1,100	680
IL2PB42	3'-6" Bearer	42	1,000	571
IL2PB48	4' Bearer	48	900	450
IL2PB60	5' Bearer	60	625	250
IL2PB72	6' Bearer	72	530	177
IL2PB84	7' Bearer	84	410	117

### Horizontal Ledger

IL2HL96	8' Ledger	96	320	80
IL2HL108	9' Ledger	108	275	61
IL2HL120	10' Ledger	120	250	50



#### BUILD NOTES:

1. Vertical leg may be the limiting load carrying member.
2. Center load is applied to the center four (4) inches of the bearer or ledger.

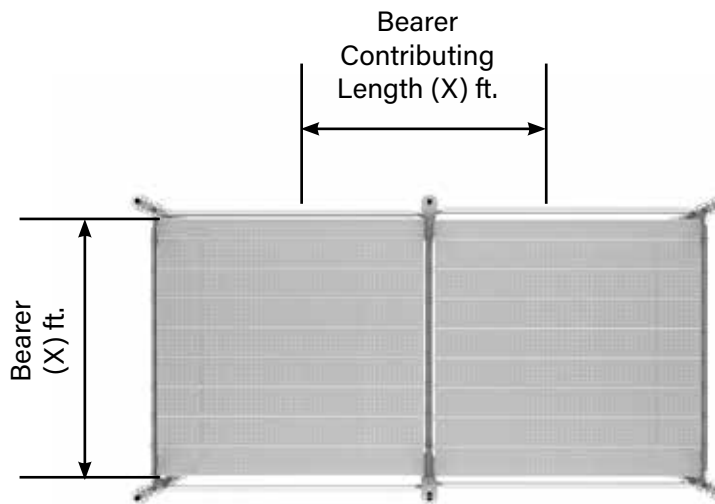
All material must be inspected prior to use! See inspection guidelines on page 87.

# INSTANTLOCK 2 HORIZONTAL BAR MULTIPLE-BAY LOADING



		LEDGER LENGTH									
		IL2PB24	IL2PB36	IL2PB42	IL2PB48	IL2PB60	IL2PB72	IL2PB84	IL2HL96	IL2HL108	IL2HL120
BEARER	LENGTH (INCHES)	24	36	42	48	60	72	84	96	108	120
IL2PB24	24	1125	750	643	563	450	375	321	281	250	225
IL2PB36	36	340	227	194	170	136	113	97	85	76	68
IL2PB42	42	286	190	163	143	114	95	82	71	63	57
IL2PB48	48	225	150	129	113	90	75	64	56	50	45
IL2PB60	60	125	83	71	63	50	42	36	31	28	25
IL2PB72	72	88	59	50	44	35	29	25	22	20	18
IL2PB84	84	59	39	33	29	23	20	17	15	13	12
IL2HL96	96	40	27	23	20	16	13	11	10	9	8
IL2HL108	108	31	20	17	15	12	10	9	8	7	6
IL2HL120	120	25	17	14	13	10	8	7	6	6	5

Chart shows the total allowable load per square foot (live load + dead).



Continuous-Run Scaffold

All areas below 25 lbs./sq. ft. (in green) do not meet OSHA requirements for a light-duty scaffold. OSHA 1926.451 (a) 6 in conjunction with non-mandatory Appendix A, define uniform loads for scaffold types.

**BUILD NOTE:**

Deck planking or verticals may be the limiting load carrying member.

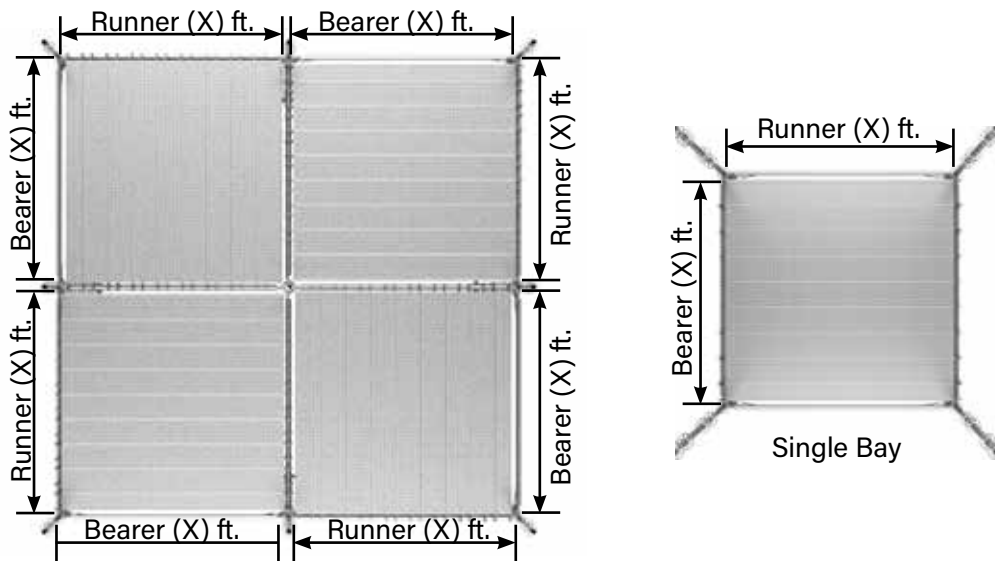
All material must be inspected prior to use! See inspection guidelines on page 87.



# INSTANTLOCK 2 HORIZONTAL BAR SINGLE-BAY LOADING

		LEDGER LENGTH									
		IL2PB24	IL2PB36	IL2PB42	IL2PB48	IL2PB60	IL2PB72	IL2PB84	IL2HL96	IL2HL108	IL2HL120
BEARER	LENGTH (INCHES)	24	36	42	48	60	72	84	96	108	120
IL2PB24	24	2250	1500	1286	1125	900	750	643	563	500	450
IL2PB36	36	680	453	388	340	272	227	194	170	151	136
IL2PB42	42	571	381	327	286	229	190	163	143	127	114
IL2PB48	48	450	300	257	225	180	150	129	113	100	90
IL2PB60	60	250	167	143	125	100	83	71	63	56	50
IL2PB72	72	177	118	101	88	71	59	50	44	39	35
IL2PB84	84	117	78	67	59	47	39	33	29	26	23
IL2HL96	96	80	53	46	40	32	27	23	20	18	16
IL2HL108	108	61	41	35	31	24	20	17	15	14	12
IL2HL120	120	50	33	29	25	20	17	14	13	11	10

Chart shows the total allowable load per square foot (live load + dead load).



Alternating Bays

**BUILD NOTES:**

1. Bearer supports the boards.
2. Deck planking or verticals may be the limiting load carrying member.

All areas below 25 lbs./sq. ft. (in green) do not meet OSHA requirements for a light-duty scaffold. OSHA 1926.451 (a) 6 in conjunction with non-mandatory Appendix A, define uniform loads for scaffold types.

All material must be inspected prior to use! See inspection guidelines on page 87.

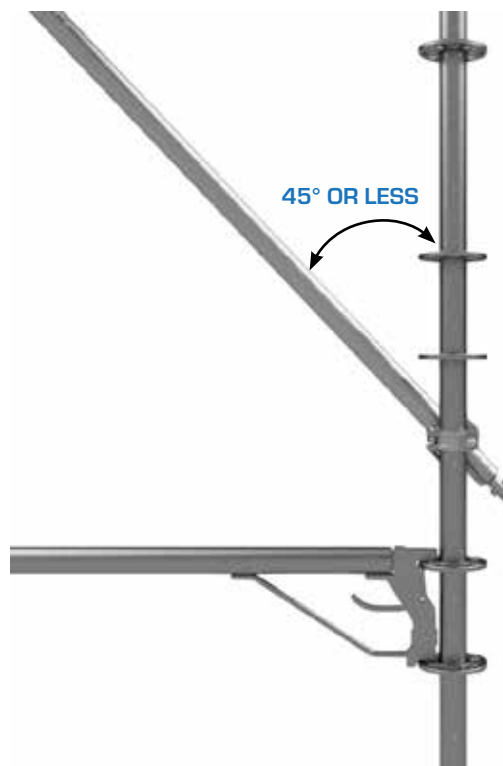
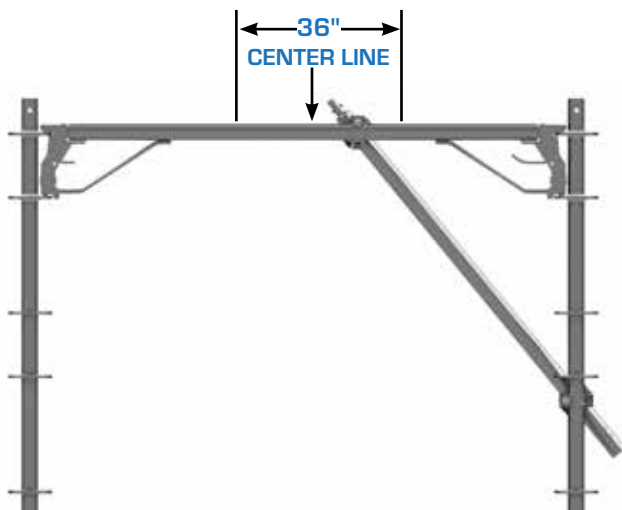
# BRACING INSTANTLOCK 2 HORIZONTAL BARS



PART #	DESCRIPTION	VERTICAL POST SPACING (INCHES)	ALLOWABLE CENTER LOAD (LBS.)	ALLOWABLE UNIFORM LOAD (LBS./FT.)
IL2PB60	5' Bearer	60	1,200	480
IL2PB72	6' Bearer	72	975	325
IL2PB84	7' Bearer	84	975	250

## HORIZONTAL LEDGER

IL2HL96	8' Ledger	96	750	188
IL2HL108	9' Ledger	108	675	150
IL2HL120	10' Ledger	120	625	125



Bracing can be added to InstantLock 2 horizontal bars when greater strength is required.

Diagonal pin braces, short diagonal braces, or tube and clamp may be used to provide additional strength to the InstantLock 2 horizontal bar.

### BUILD NOTES:

1. The angle of the bottom connection of the brace to the vertical must be 45 degrees or less.
2. The brace must be placed within 18 inches of either side of the center of the horizontal. Vertical leg may be the limiting load carrying member.
3. Horizontal bracing adds additional torque to the verticals, which must be considered when building heavy-duty or tall scaffolds.
4. Center load is applied to the center four (4) inches of the bearer or ledger.

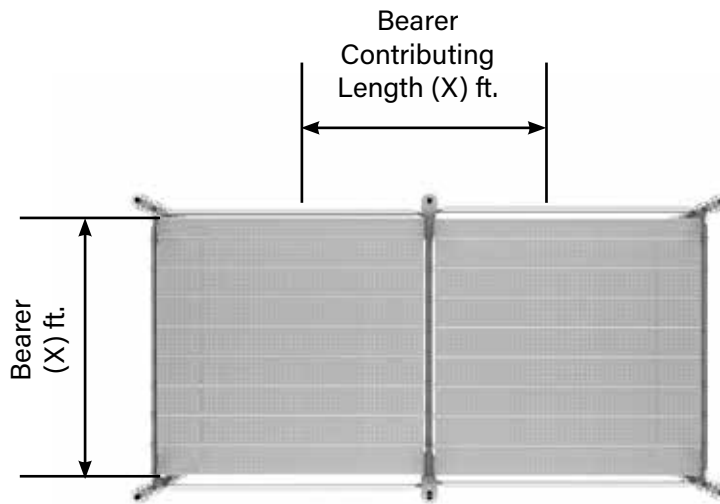
**All material must be inspected prior to use! See inspection guidelines on page 87.**



# INSTANTLOCK 2 HORIZONTAL BAR WITH ONE (1) BRACE

BEARER	LENGTH (INCHES)	LEDGER LENGTH									
		IL2PB24	IL2PB36	IL2PB42	IL2PB48	IL2PB60	IL2PB72	IL2PB84	IL2HL96	IL2HL108	IL2HL120
		24	36	42	48	60	72	84	96	108	120
IL2PB60	60	240	160	137	120	96	80	69	60	53	48
IL2PB72	72	163	108	93	81	65	54	46	41	36	33
IL2PB84	84	125	83	71	63	50	42	36	31	28	25
IL2HL96	96	94	63	54	47	38	31	45	23	21	19
IL2HL108	108	75	50	43	38	30	25	21	19	17	15
IL2HL120	120	63	42	36	31	25	21	18	16	14	13

Chart shows the allowable load per square foot when horizontal is braced as defined on page 11—horizontal bracing. Chart shows the total allowable load per square foot (live load + dead load).



Continuous-Run Scaffold  
Standard board layout.

All areas below 25 lbs./sq. ft. (in green) do not meet OSHA requirements for a light-duty scaffold. OSHA 1926.451 (a) 6 in conjunction with non-mandatory Appendix A, define uniform loads for scaffold types.

**BUILD NOTES:**

1. Bearer supports the boards and has one (1) diagonal brace.
2. Deck planking or verticals may be the limiting load carrying member.

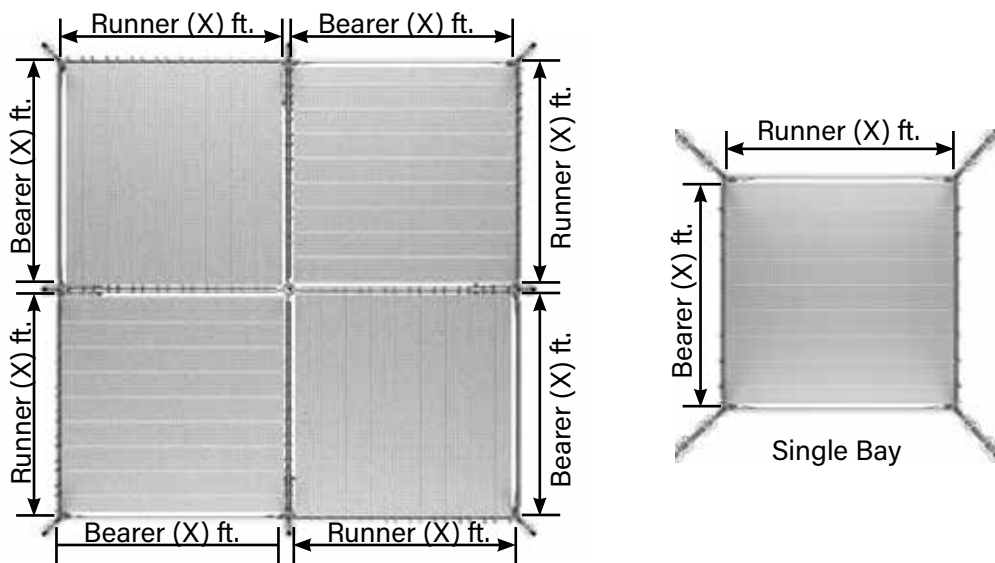
All material must be inspected prior to use! See inspection guidelines on page 87.

# INSTANTLOCK 2 HORIZONTAL BAR WITH ONE (1) BRACE



		LEDGER LENGTH									
		IL2PB24	IL2PB36	IL2PB42	IL2PB48	IL2PB60	IL2PB72	IL2PB84	IL2HL96	IL2HL108	IL2HL120
BEARER	LENGTH (INCHES)	24	36	42	48	60	72	84	96	108	120
IL2PB60	60	480	320	274	240	192	160	137	120	107	96
IL2PB72	72	325	217	186	163	130	108	93	81	72	65
IL2PB84	84	250	167	143	125	100	83	71	63	56	50
IL2HL96	96	188	125	107	107	94	63	54	47	42	38
IL2HL108	108	150	100	86	75	60	50	43	38	33	30
IL2HL120	120	125	83	71	63	50	42	36	31	28	25

Chart shows the allowable load per square foot when horizontal is braced as defined on page 11—horizontal bracing. Chart shows the total allowable load per square foot (live load + dead load).



Alternating Bays

Single-bay scaffold or staggered board deck layout.

### BUILD NOTES:

1. Bearer supports the boards and has one (1) diagonal brace.
2. Deck planking or verticals may be the limiting load carrying member.

All areas below 25 lbs./sq. ft. do not meet OSHA requirements for a light-duty scaffold. OSHA 1926.451 (a) 6 in conjunction with non-mandatory Appendix A, define uniform loads for scaffold types.

**All material must be inspected prior to use! See inspection guidelines on page 87.**