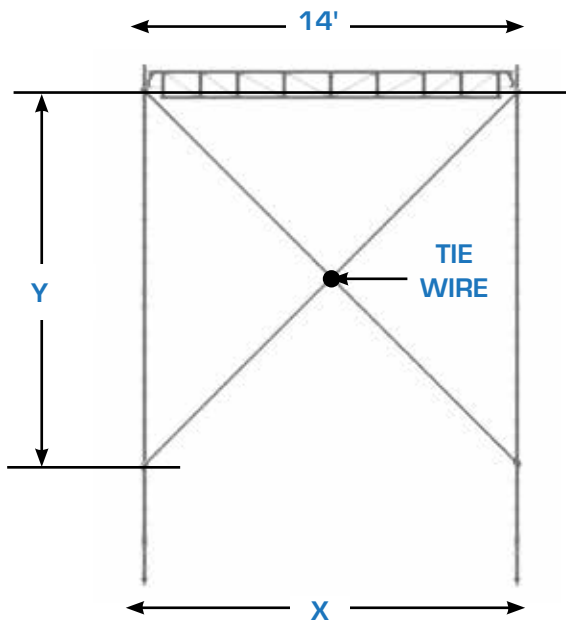




DIAGONAL PIN BRACE

| PART # | DESCRIPTION | SINGLE FITS POST SPACING (INCHES) | DOUBLE FITS POST SPACING (INCHES) | LENGTH (INCHES) | WEIGHT GALVANIZED (LBS.) |
|--------|--------------------------|-----------------------------------|-----------------------------------|-----------------|--------------------------|
| DPB | Diagonal Pin Brace | 24 - 84 | 96 - 168 | 108 | 24 |
| SDPB | Short Diagonal Pin Brace | Horizontal Bracing | | 36 | 8 |

| BEARER DESCRIPTION | X COORDINATE | Y COORDINATE |
|----------------------------|--------------|--------------|
| 24" Bearer, 2-Plank Bearer | 24 | 105.3 |
| 36" Bearer | 36 | 101.82 |
| 42" Bearer, 4-Plank Bearer | 42 | 99.5 |
| 48" Bearer, 5-Plank Bearer | 48 | 96.75 |
| 60" Bearer, 6-Plank Bearer | 60 | 89.8 |
| 6' Bearer | 72 | 80.5 |
| 7' Bearer | 84 | 67.88 |
| 8' Ledger | 96 | 193.49 |
| 9' Ledger | 108 | 187.06 |
| 10' Ledger | 120 | 179.6 |



The diagonal pin brace is a multipurpose brace. It has standard swivel clamps on each end, so it can be fastened to any scaffold vertical or horizontal.

These braces are also drilled and fitted, so a standard vertical pin can be used to connect two or more braces together. This may be desirable when there is a need to brace longer structures up to 14 feet.

BUILD NOTE:

When more than one (1) brace is used, the brace should be tied, when possible, in the middle with #9 wire or equivalent to a horizontal, vertical or another diagonal. When braces are connected together, the middle clamps may or may not be used.

All material must be inspected prior to use! See inspection guidelines on page 87.



DIAGONAL PIN BRACE (CONT'D)

| UNBRACED POST LENGTH (INCHES) | MAXIMUM ALLOWABLE COMPRESSIVE LOAD WHEN RATED FOR SCAFFOLD USE (LBS.) |
|-------------------------------|---|
| 36 | 2,550 |
| 108 | 2,550 |



The short diagonal pin brace can be used to provide additional support to horizontal bearers or to extend the length of a diagonal pin brace for use on a 10-foot wide scaffold.

The diagonal pin brace can also be used as a vertical to pass through a congested area, such as a pipe rack or cable tray.

BUILD NOTE:

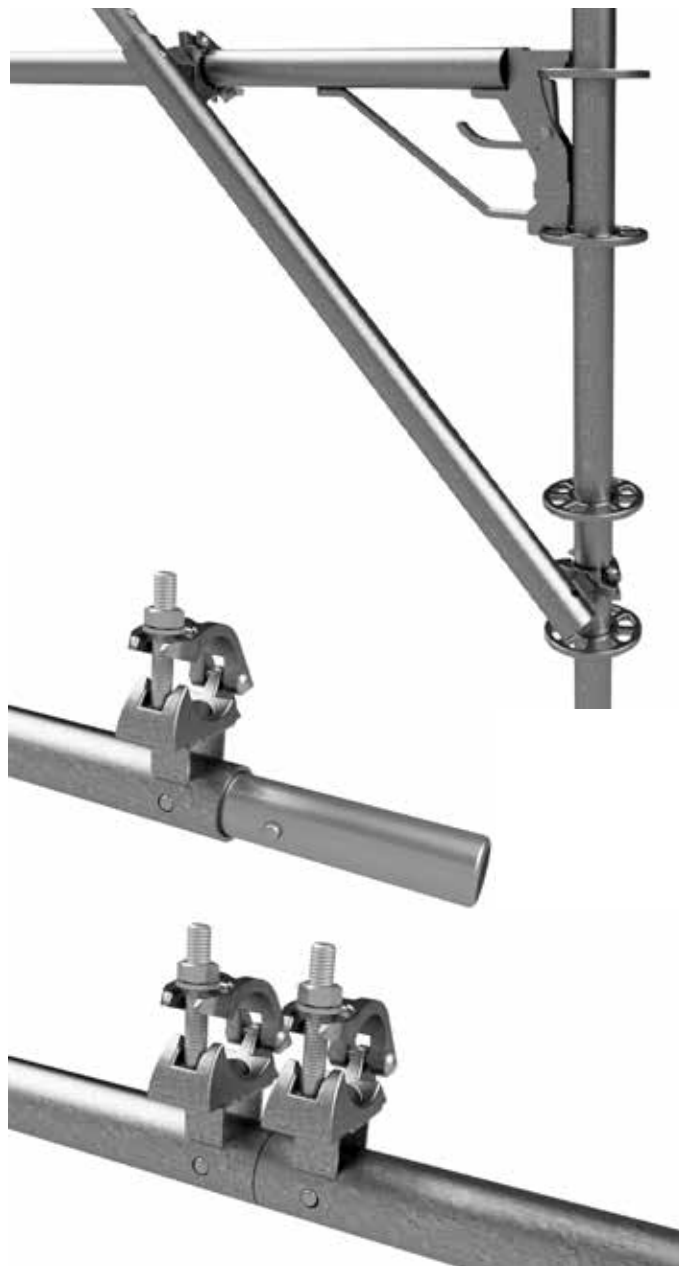
When used as a vertical, the diagonal pin brace must be supported by tube and clamp, braces, or tied, so there is never more than 69 inches of unsupported vertical.

MATERIAL SPECS:

1. All tubing is 1.90 diameter, 11-gauge (0.120 wall), high-strength, minimum 65,000 yield, and 75,000 tensile.
2. Diagonal pin braces are compatible with standard 1.90 OD tube and clamp material.



Clamp bolts should have between 40 and 65 lbs. tension. Overtightening could damage the threads, bolt or item the clamp is attached to.



CAUTION: There is a pinch point at the clamp and where the parts pin together

All material must be inspected prior to use! See inspection guidelines on page 87.