



INSTANTLOCK 2 ADJUSTABLE BEARER

PART #	DESCRIPTION	MINIMUM POST SPACING (INCHES)	MAXIMUM POST SPACING (INCHES)	WEIGHT GALVANIZED (LBS.)
IL2TPB36	36" to 48" Adjustable Bearer	36	47	12
IL2TPB48	48" to 60" Adjustable Bearer	48	59	17
IL2TPB60	60" to 72" Adjustable Bearer	60	71	20
IL2TPB72	72" to 84" Adjustable Bearer	72	83	23
IL2TPB84	84" to 96" Adjustable Bearer	84	95	26
IL2THL96	96" to 108" Adjustable Ledger	96	107	32

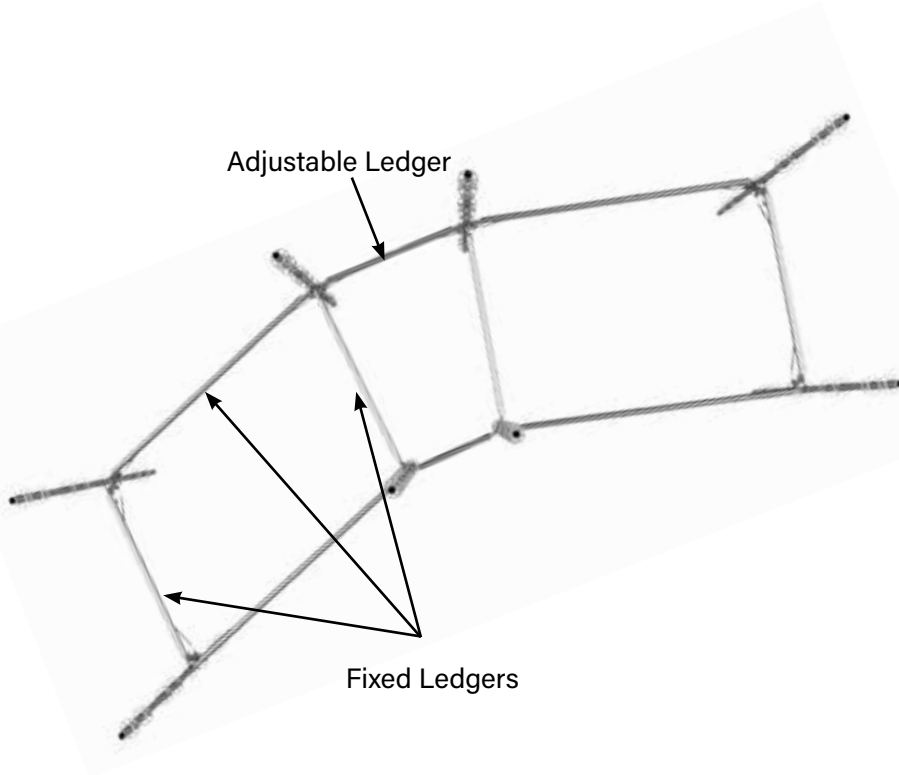


Adjustable bearers are designed to provide deck support between two (2) self-supporting scaffold structures where traditionally only tube and clamp could be used.

Adjustable bearers may also be used to create odd-sized scaffolds (ex: 5 feet x 6 ½ feet).

MATERIAL SPECS:

1. Outer tubing is 1.90 diameter, 11-gauge (0.120 wall), high-strength, minimum 65,000 yield, and 75,000 tensile.
2. Inner tubing is 1.625 diameter, 11-gauge (0.120 wall), high-strength, minimum 65,000 yield, and 75,000 tensile.



CAUTION: There is a pinch point when closing the trigger and where the parts telescope.



WARNING: Adjustable bearers provide limited longitudinal support.

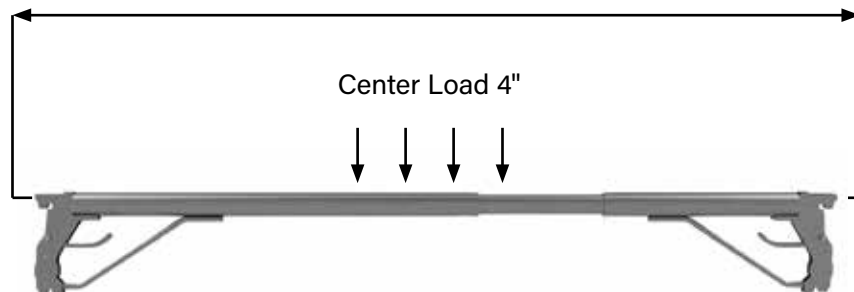
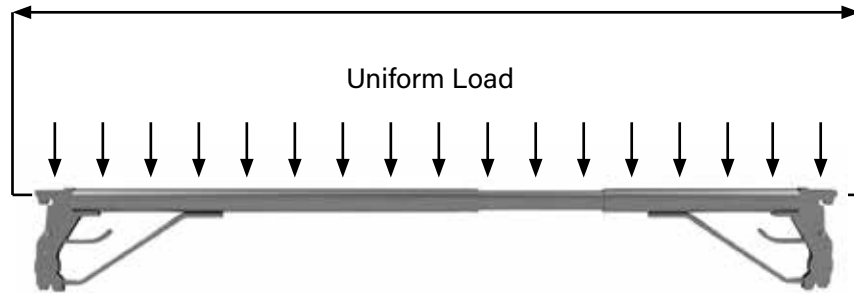
Intermediate horizontal adapters may only be placed on adjustable bearers if designed by an engineer.

All material must be inspected prior to use! See inspection guidelines on page 87.

INSTANTLOCK 2 ADJUSTABLE BEARER (CONT'D)



PART #	DESCRIPTION	ALLOWABLE CENTER LOAD (LBS.)	ALLOWABLE UNIFORM LOAD WHEN FULLY EXTENDED (LBS./FT.)
IL2TPB36	36" to 48" Adjustable Bearer	812	406
IL2TPB48	48" to 60" Adjustable Bearer	625	250
IL2TPB60	60" to 72" Adjustable Bearer	750	250
IL2TPB72	72" to 84" Adjustable Bearer	687	196
IL2TPB84	84" to 96" Adjustable Bearer	618	155
IL2THL96	96" to 108" Adjustable Ledger	562	125



BUILD NOTES:

1. Vertical leg may be the limiting load carrying member.
2. Center load is applied to the center four (4) inches of the bearer or ledger.

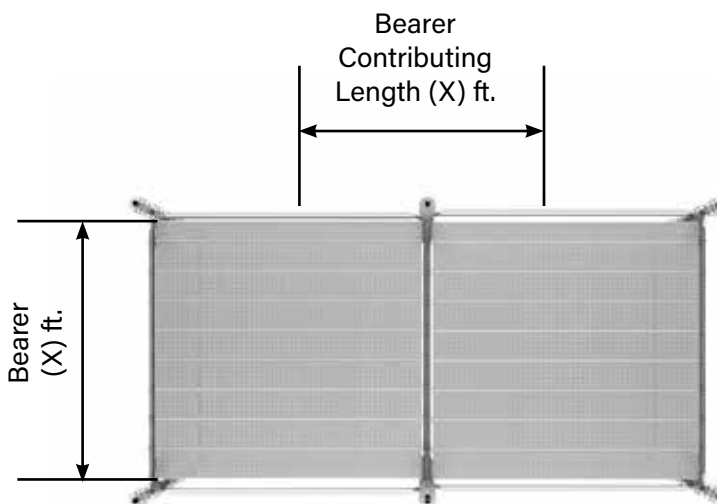
All material must be inspected prior to use! See inspection guidelines on page 87.



INSTANTLOCK 2 ADJUSTABLE BEARER (CONT'D) MULTIPLE-BAY LOADING

BEARER	Length (inches)	LEDGER LENGTH								
		IL2PB24	IL2PB42	IL2PB48	IL2PB60	IL2PB72	IL2PB84	IL2HL96	IL2HL108	IL2HL120
IL2TPB36	47	203	116	102	81	68	58	51	45	41
IL2TPB48	59	125	71	63	50	42	36	31	28	25
IL2TPB60	71	125	71	63	50	42	36	31	28	25
IL2TPB72	83	98	56	49	39	33	28	25	22	20
IL2TPB84	95	77	44	39	31	26	22	19	17	15
IL2THL96	107	62	36	31	25	21	18	16	14	12

Chart shows the total allowable load per square foot (live load + dead load).
Chart shows worst case scenario— adjustable bearer fully extended.



Continuous-Run Scaffold

All areas below 25 lbs./sq. ft. (in green) do not meet OSHA requirements for a light-duty scaffold. OSHA 1926.451 (a) 6 in conjunction with non-mandatory Appendix A, define uniform loads for scaffold types.

BUILD NOTES:

1. Bearer supports the boards and has one (1) diagonal brace.
2. Deck planking or verticals may be the limiting load carrying member.

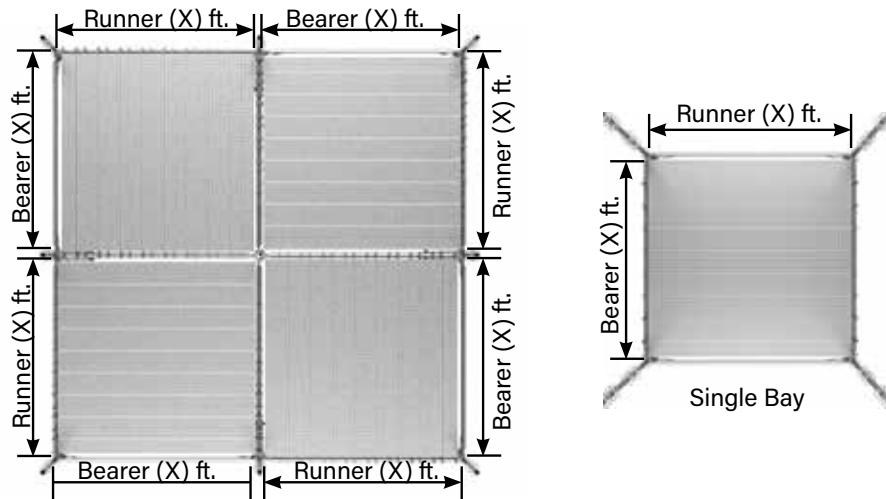
All material must be inspected prior to use! See inspection guidelines on page 87.

INSTANTLOCK 2 ADJUSTABLE BEARER (CONT'D) SINGLE-BAY LOADING



BEARER	Length (inches)	LEDGER LENGTH								
		IL2PB24	IL2PB42	IL2PB48	IL2PB60	IL2PB72	IL2PB84	IL2HL96	IL2HL108	IL2HL120
IL2TPB36	47	271	232	203	162	135	116	102	90	81
IL2TPB48	59	167	143	125	100	83	71	63	56	50
IL2TPB60	71	167	143	125	100	83	71	63	56	50
IL2TPB72	83	131	112	98	79	65	56	49	44	39
IL2TPB84	95	103	88	77	62	52	44	39	34	31
IL2THL96	107	83	71	62	50	42	36	31	28	25

Chart shows the total allowable load per square foot (live load + dead load).
Chart shows worst case scenario—adjustable bearer fully extended.



Alternating Bays

All areas below 25 lbs./sq. ft. do not meet OSHA requirements for a light-duty scaffold. OSHA 1926.451(a) 6 in conjunction with non-mandatory Appendix A, define uniform loads for scaffold types.

BUILD NOTES:

1. Bearer supports the boards and has one (1) diagonal brace.
2. Deck planking or verticals may be the limiting load carrying member.

All material must be inspected prior to use! See inspection guidelines on page 87.