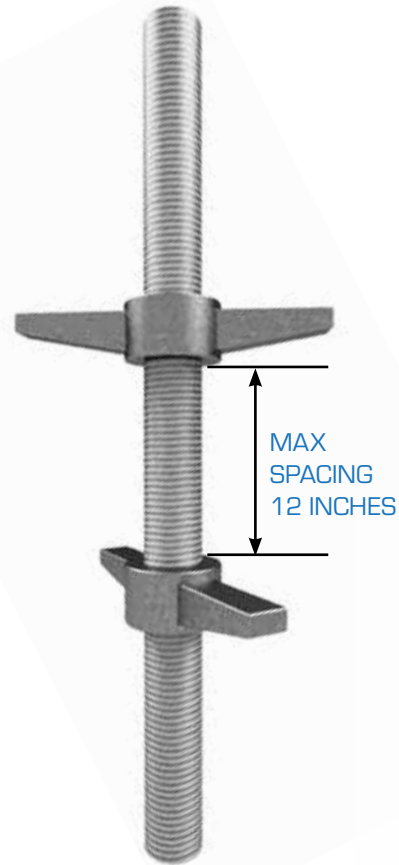


# ADJUSTABLE TUBE AND CLAMP ADAPTER



| PART # | DESCRIPTION                       | WEIGHT (LBS.) | MAXIMUM ALLOWABLE LOAD AT 12" (LBS.) |
|--------|-----------------------------------|---------------|--------------------------------------|
| ATCA   | Adjustable Tube and Clamp Adapter | 3.5           | 5,000                                |



The adjustable tube and clamp adapter allows the elevation of a board deck to be changed, so that the top portion of a scaffold can be aligned with a scaffold built on a separate structure.

The adjustable tube and clamp adapter enables the vertical rosettes of one scaffold to be aligned with another scaffold built at a different elevation.

The adjustable tube and clamp adapter may be placed on top of an existing InstantLock 2 scaffold or tube and clamp scaffold.

## BUILD NOTES:

1. There must be a wrap of horizontals (either InstantLock 2 or tube and clamp) attached to the verticals above and below the adjustable tube and clamp adapter.
2. There must always be a minimum of six (6) inches of thread inside the upper and lower vertical.
3. Only one (1) adjustable tube and clamp adapter may be used in any run of verticals.
4. Before use, inspect the adjustable tube and clamp adapter assembly to ensure there are no cracks in the wing nuts and verify that the three (3) tack welds are visibly in place.
5. The maximum spacing between the nuts is 12 inches.



All material must be inspected prior to use! See inspection guidelines on page 87.